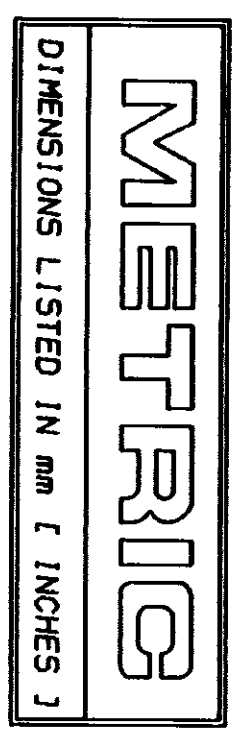
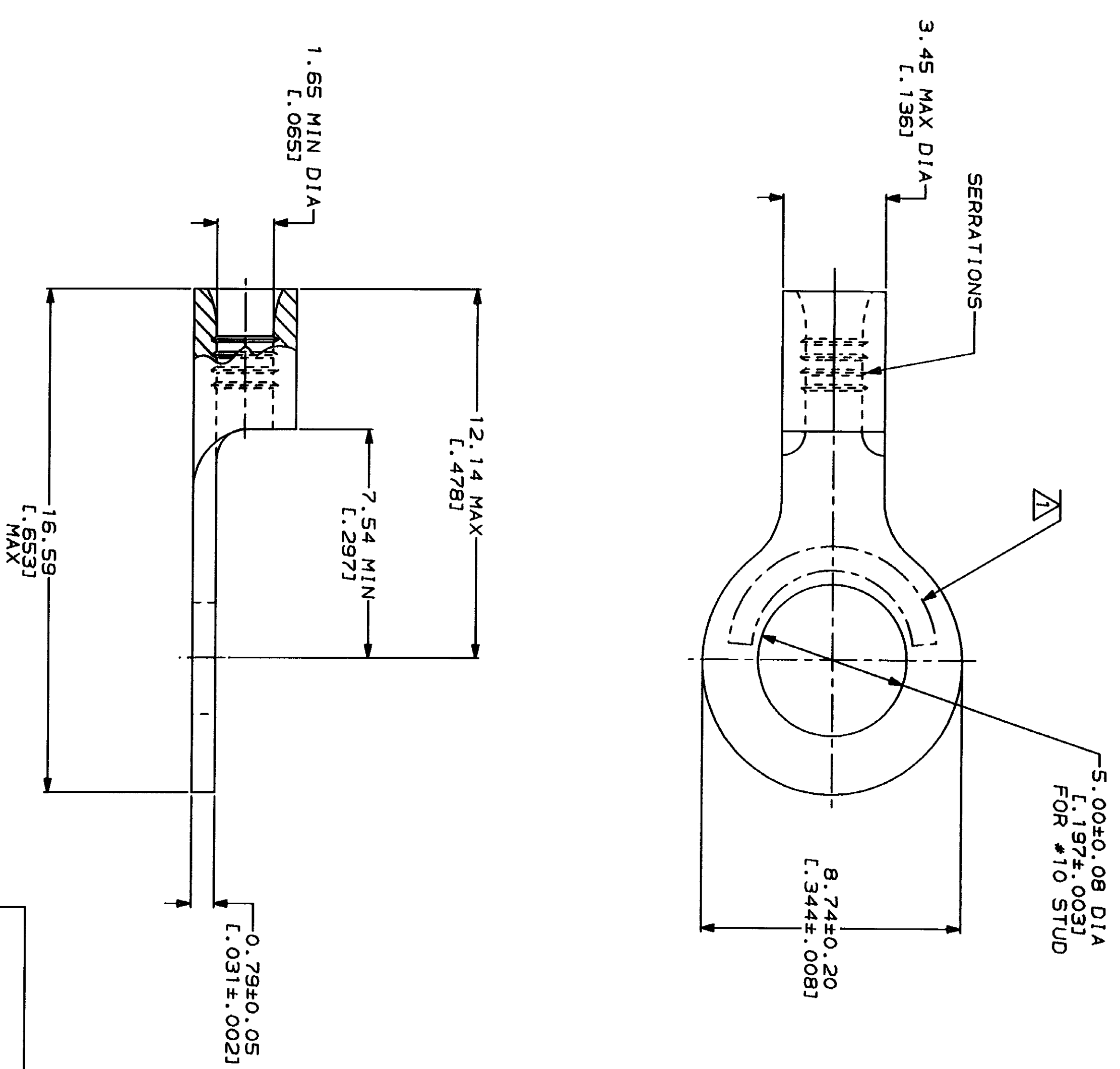


LOC	DATE	REVISIONS	DATE	APP
G	14	REVISED PER 0720-0230-93	2/25/94	AMP



<b>AMP</b> WIRE RANGE	<b>IL</b> E13288 Listed
22-16 AWG STRANDED	22-16 AWG STRANDED
● LR7189 Certified	MILITARY P/N AND CLASS
NOT CERTIFIED	NOT APPLICABLE

⚠ STAMP AMP 22-18\* APPROX AS SHOWN  
 22-16 TERMINALS ARE STAMPED 22-18 IN  
 ACCORDANCE WITH MILITARY SPECIFICATION  
 MIL-T-7928, COMMERCIAL WIRE RANGE IS 22-16



AMP INCORPORATED CUSTOMER SERVICE SYSTEMS		MAX RECOMMENDED OPERATING TEMPERATURE: 170°C MAX		DO NOT SCALE PRINT. UNLESS SPECIFIED DIMENSIONS IN mm FINISHES TOLERANCES ON: 2 PLC DEC ± .05 3 PLC DEC ± .02		DR 2-3-93 TA BRINKMAN		AMP AMP Incorporated Horshburg, PA 17105-3608	
FOR ADDITIONAL PRODUCT INFORMATION OR COPIES OF DRAWINGS AND TECHNICAL DOCUMENTS		PRODUCT INFORMATION CENTER 1-800-522-6752		VOLTAGE RATING: NOT APPLICABLE		APPD 2-3-93 DE MILLER		TERMINAL, RING TONGUE, BUDGET	
FOR APPLICATION TOOLING INFORMATION		TOOLING ASSISTANCE CENTER 1-800-722-1111		WIRE CROSS SECTIONAL AREA RANGE: 0.26-1.65mm² [509-3,260] CIR MILS STRANDED		APPD 2-3-93 JL HECKLEY		SIZE CAGE CODE DRAWING NO 00779 C-32824	
FOR ORDER ENTRY		1-800-526-5142		FINISH TIN PLATE 0.00254 [L.000100] MIN THK PER MIL-T-10727		APPLICATION SPEC		SCALE 8:1 SHEET 1 OF 1	